

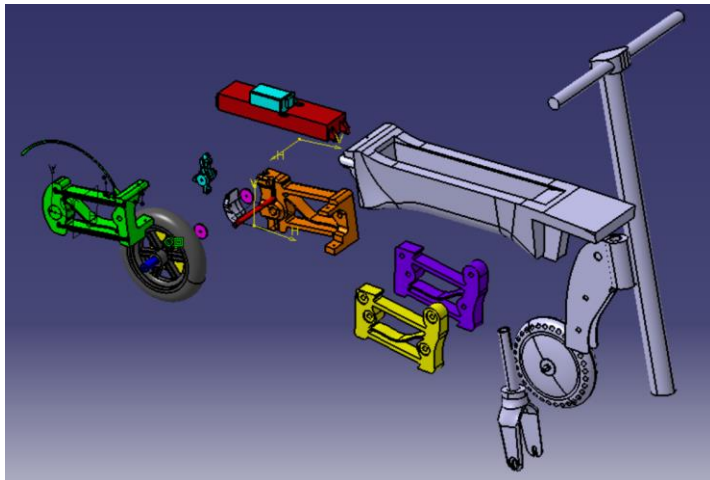


## ELECTRIC KICK SCOOTER WITH COMPLIANT SUSPENSION SYSTEM

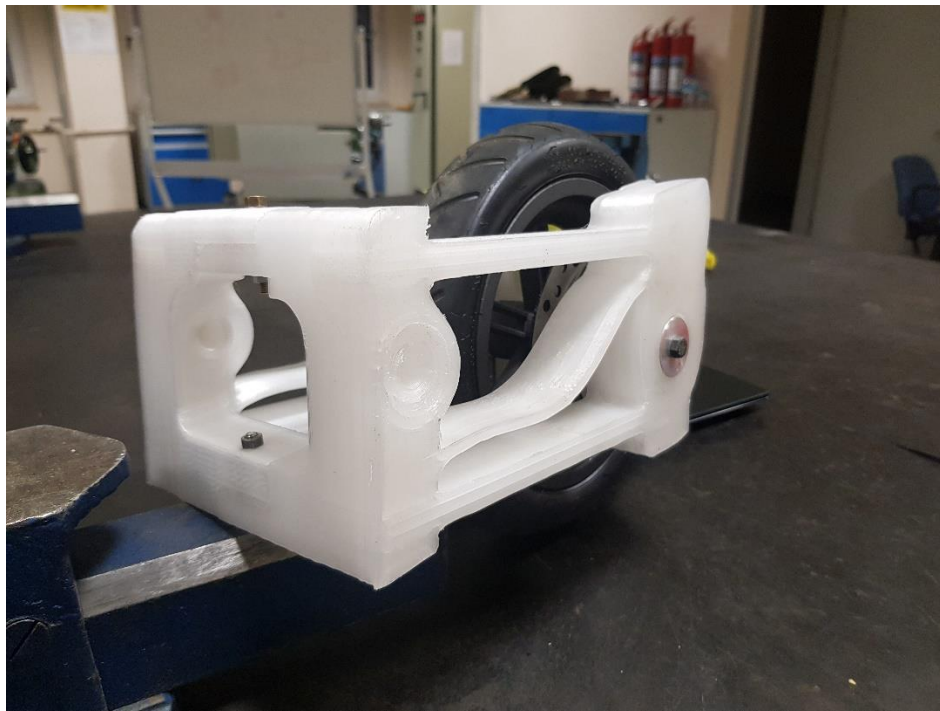
This is a start-up project supported by TUBITAK 1512 program. The project aims to design and produce an electric kick scooter prototype that has a compliant suspension system at both front and rear. The total grant from TUBITAK is 200.000TL and a new company is set up which name is *Beytepe Electric Vehicle Technologies (B.E.A.T.)*.

The resulting product has a unique design that can be produced by additive manufacturing methods. Most of the suspension parts are eliminated by using compliant mechanisms instead of rigid links.

Project starting-ending dates: **01/08/2021- 31/07/2022**



**DESIGN STAGES**



**PRODUCTION TRIALS BY 3D PRINTERS**